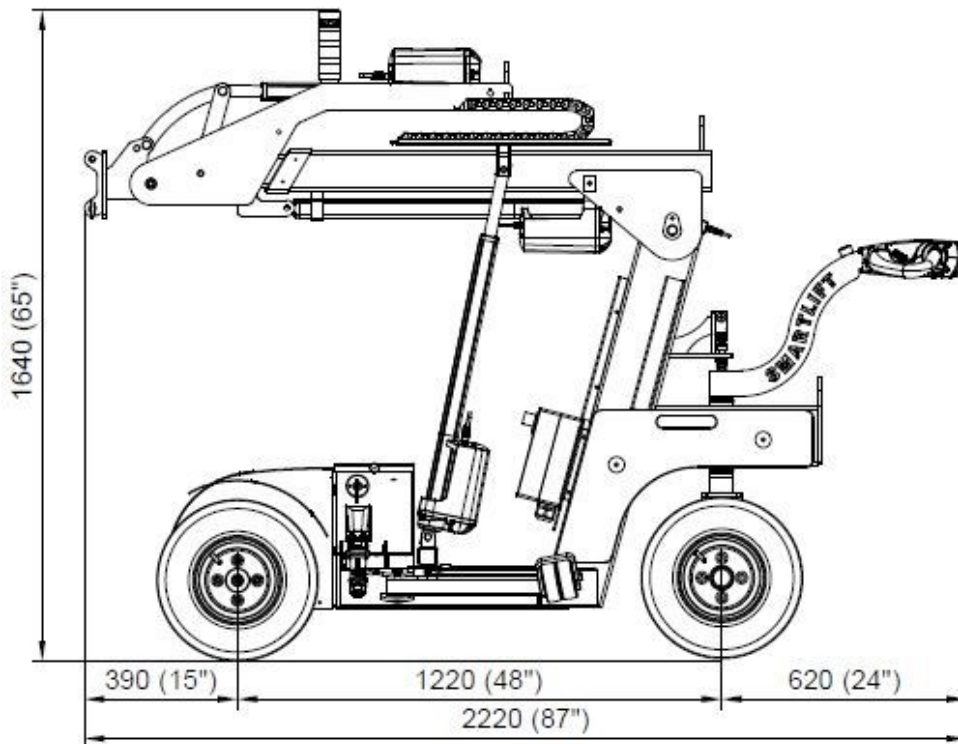
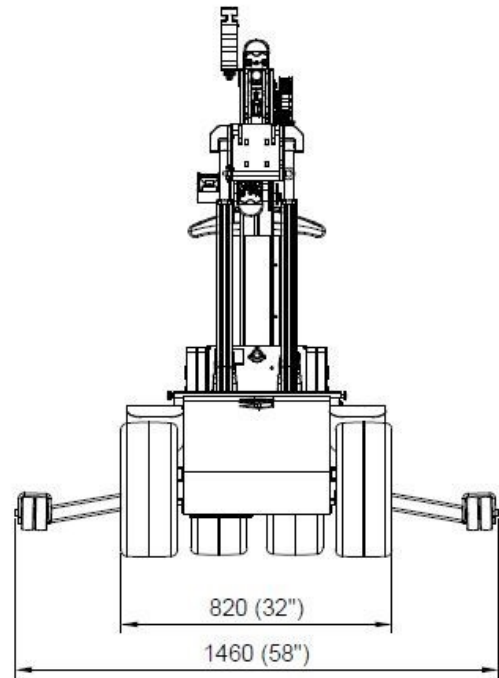


SLI409 INDUSTRY

Technical specifications

Lifting cap. arm in/out	430/350kg – 950/770lb
Lifting height	2750mm / 108in
Extension of arm	600mm / 24in
Tilt	53° back / 131° fwd
Side shift	100mm / 4in
Charging voltage	230V / 110V
Charging time	Approx. 10 hrs.
Running period	Up to 10 hrs.
Front-wheel drive	1500W
Width	820mm / 32in
Curb weight	660kg / 1460lb



Load chart

